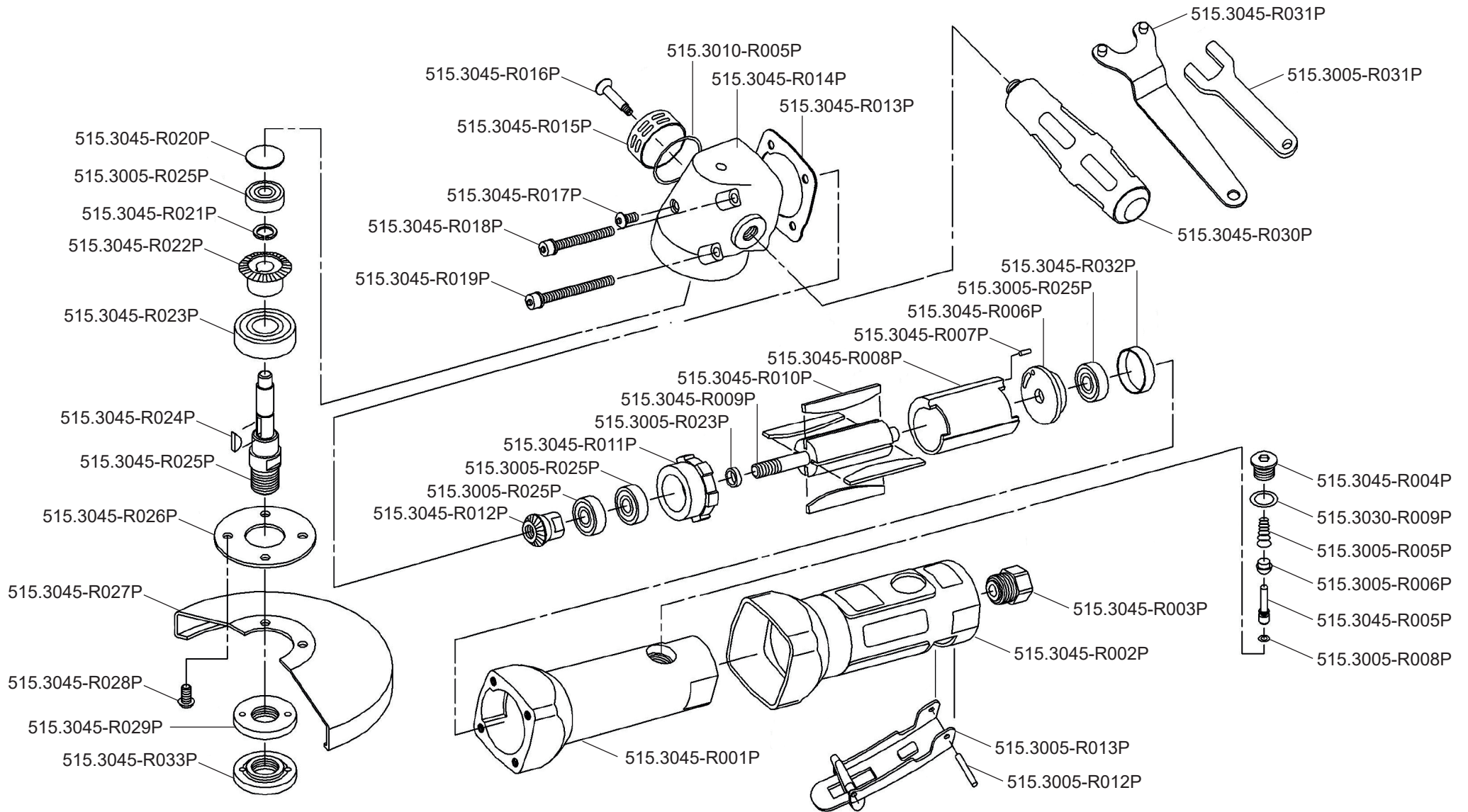


Art. 515.3045



Art. 515.3045

Art.-Nr.	Description	Beschreibung	Menge Qty.
515.3005-R005P	Spring for setscrew	Feder für Stellschraube	1
515.3005-R006P	Valve stem bushing	Ventilbuchse	1
515.3005-R008P	O-Ring (3.5*1.4)	O-Ring (3.5*1.4)	1
515.3005-R012P	Pin for leven	Splint für Abzug	1
515.3005-R013P	Lever with safetylock	Abzug mit Sicherheitsverriegelung	1
515.3005-R023P	Bearing spacer	Abstandshalter Kugellager	1
515.3005-R025P	Bearing (608ZZ)	Kugellager (608ZZ)	4
515.3005-R031P	Spanner 14mm	Schlüssel 14mm	1
515.3010-R005P	O-Ring (26.7*1.78)	O-Ring (26.7*1.78)	1
515.3030-R009P	O-Ring	O-Ring	1
515.3045-R001P	Housing	Gehäuse	1
515.3045-R002P	Protection rubber	Gummischutzhülle	1
515.3045-R003P	Air inlet	Lufteinlass	1
515.3045-R004P	Setscrew	Stellschraube	1
515.3045-R005P	Valve stem	Ventilstift	1
515.3045-R006P	Rear rotor plate	Hintere Rotoraufnahme	1
515.3045-R007P	Spring pin	Splint	1
515.3045-R008P	Rotor housing	Rotorgehäuse	1
515.3045-R009P	Rotor	Rotor	1
515.3045-R010P	Rotor blade	Rotorblatt	4
515.3045-R011P	Front bearing plate	Vordere Kugellageraufnahme	1
515.3045-R012P	Bevel gear	Kegelzahnrad	1
515.3045-R013P	Gasket	Dichtung	1

Art.-Nr.	Description	Beschreibung	Menge Qty.
515.3045-R014P	Angle housing	Abgewinkeltes Gehäuse	1
515.3045-R015P	Exhaust sleeve	Abluffführung	1
515.3045-R016P	Screw for exhaust sleeve	Schraube für Ablufführung	1
515.3045-R017P	Setscrew (M5*6)	Stellschraube (M5*6)	1
515.3045-R018P	Hex screw (M5*45mm)	Innen6kant Schraube (M5*45mm)	2
515.3045-R019P	Hex screw (M5*55mm)	Innen6kant Schraube (M5*55mm)	2
515.3045-R020P	Spacer	Abstandsplatte	1
515.3045-R021P	Circlip	Sicherungsring	1
515.3045-R022P	Bevel gear	Kegelzahnrad	1
515.3045-R023P	Bearing (6202ZZ)	Kugellager (6202ZZ)	1
515.3045-R024P	Clamping jaw	Klemmbacke	1
515.3045-R025P	Shaft	Antriebsspindel	1
515.3045-R026P	Face plate	Gehäuseverschlussplatte	1
515.3045-R027P	Shield	Schutzschild	1
515.3045-R028P	Hex screw	Innen6kantschraube	4
515.3045-R029P	Disc nut (M14)	Klemmring für Trennscheiben (M14)	1
515.3045-R030P	Handle	Seitlicher Griff	1
515.3045-R031P	Disc spanner	Zweilochschlüssel	1
515.3045-R032P	Protection ring	Schutzring	1
515.3045-R033P	Disc nut (M14)	Klemmring für Trennscheiben (M14)	1